

Specification

Size : 135mm, 4Ω20W

Name : Speaker

Item NO : LS135W-1-R4

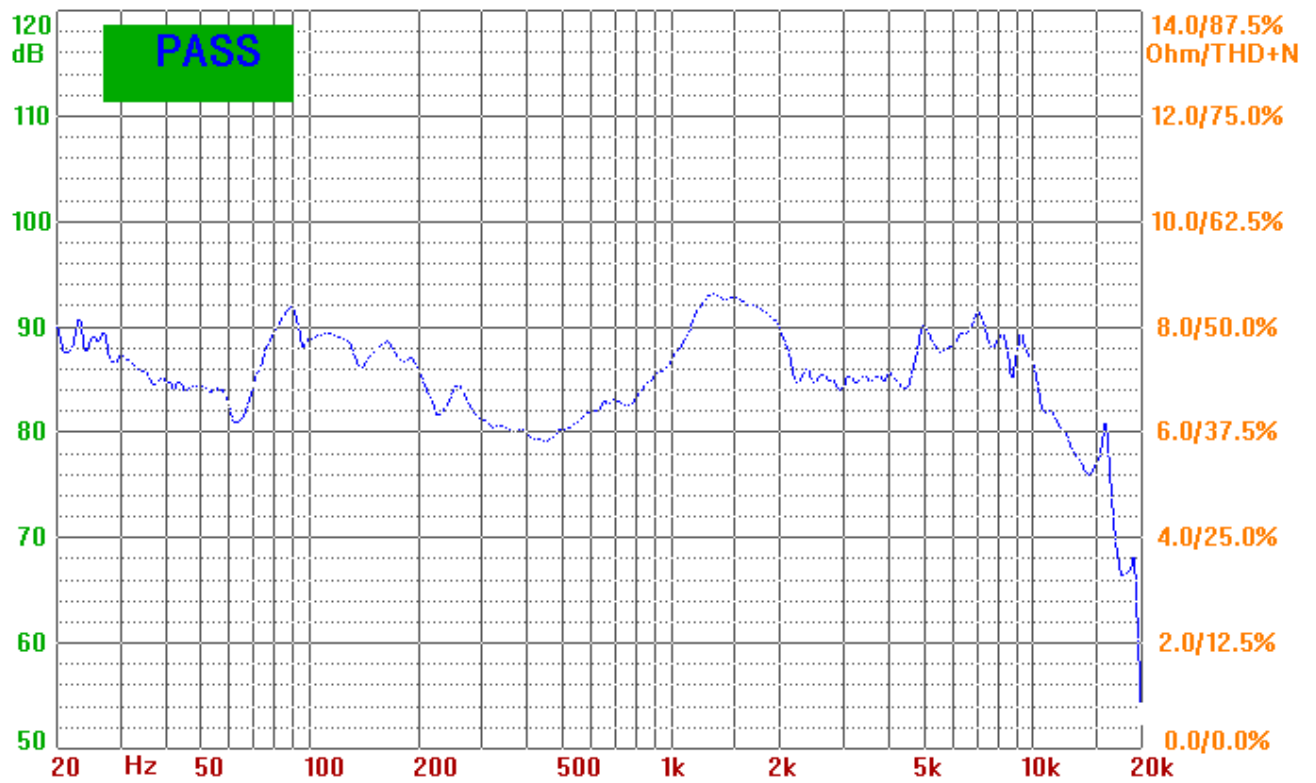
1. Electrical and Acoustic Specification:

Item	Value
1.1 Rate Power	20W
1.2 Max Power	25W
1.3 S.P.L	86±3dB (AT 0.1M/0.1W, Average of 0.8,1.0,1.2,1.5KHZ)
1.4 Impedance	4Ω±15%
1.5 Frequency Range	Fo~~~13KHZ
1.6 Resonance Frequency	70±20%
1.7 Distortion	≤5%
1.8 Magnet Size	Φ70*32*12mm
1.9 Weight	475g±8%
2.0 Size	133*133*65Hmm
2.1 Voice Coil	Φ25.5 ASV+Cu
2.2 Cone	Foam+Paper Cone
2.3 Rate Voltage	8.94 V
2.4 温度 Temperature	Operating temperature:-30°C to + 75°C Storage temperature:-40°C to + 85°C

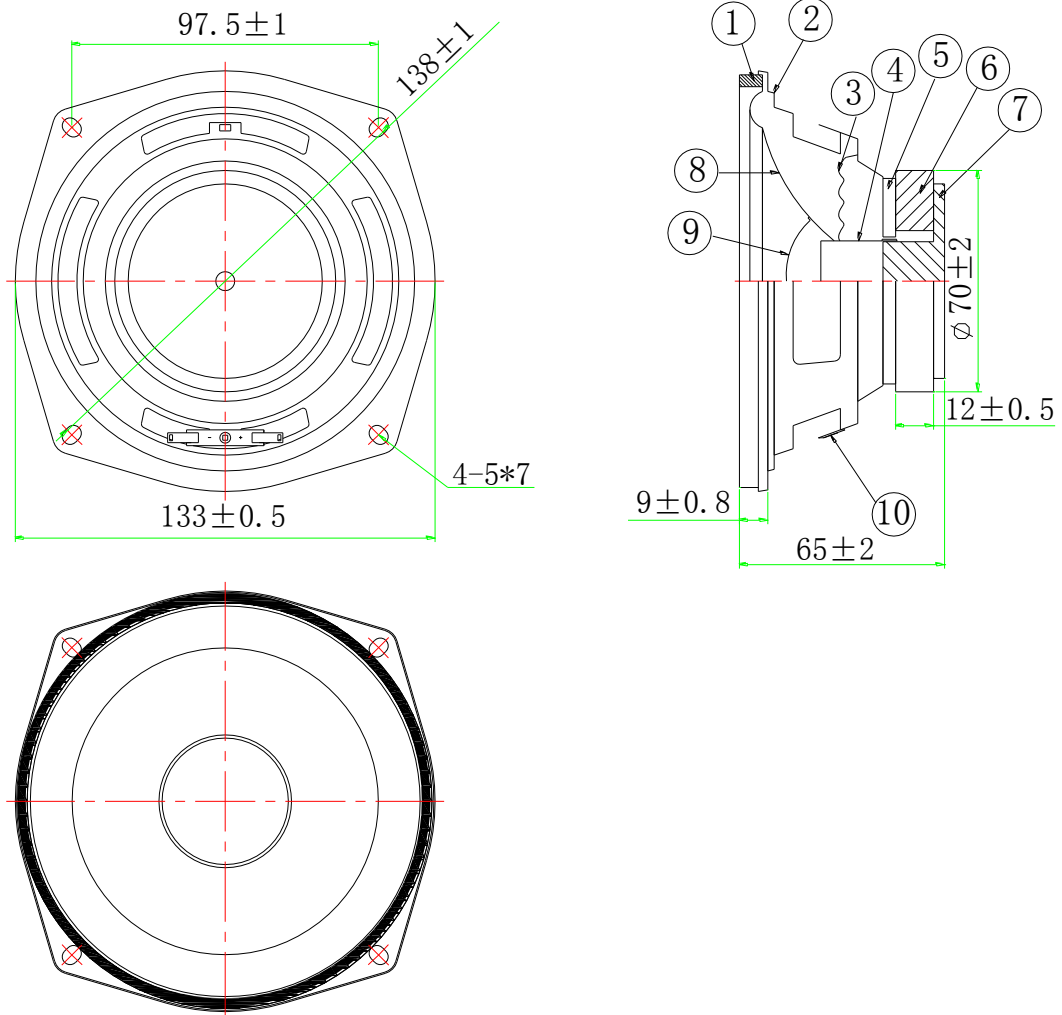
2. Picture:



3. SPL View:

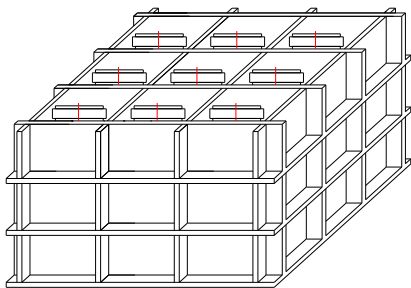
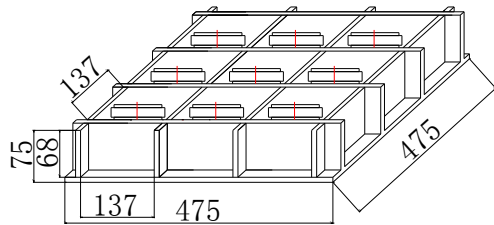


4. Dimension picture:



NO	零件 Component	材质 Material
1	压边 Gasket	纸 Paper
2	盆架 Frame	冷轧钢板 SPCC
3	弹波 Damper	布 Cloth
4	音圈 Voice coil	铝膜 ASV+Cu
5	华司 Washer	冷轧钢板 SPCC
6	磁铁 Magnet	铁氧体 Ferrite
7	T铁 T-yoke	冷轧钢板 SPCC
8	鼓纸 Cone	泡边纸盆 Foam+Paper
9	帽子 Dust cap	凸纸帽 Paper
10	接线板 Terminals	纸板+铁 Paper+steel

5.Packing picture:



1. Each clapboard 9pcs,
Each carton 3 clapboards,
27 pcs/carton
N.W: 12.8KG, G.W:14.8 KG
2. Corrugated paper: 475*475 mm 1 pcs
3. Carton box size: 490*490*250mm 1 pcs

