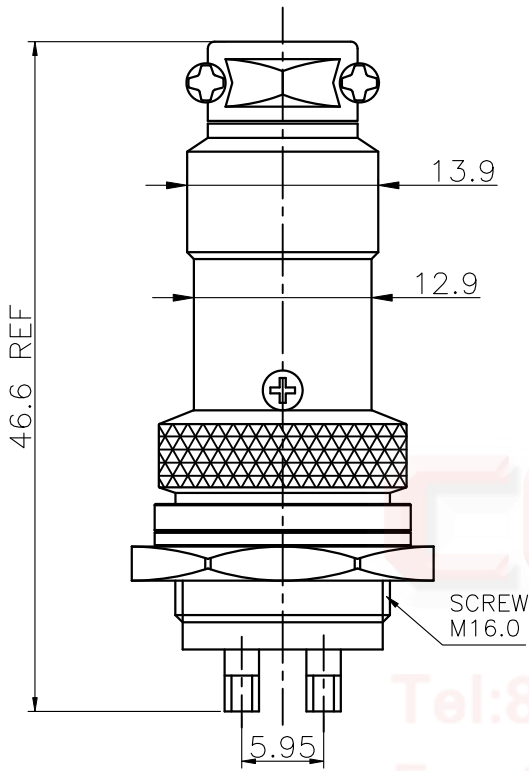


REV.	DESCRIPTION	DRAWN	CHECKED	APPROVED
A	NEW RELEASE	LJH 05/09/05'		

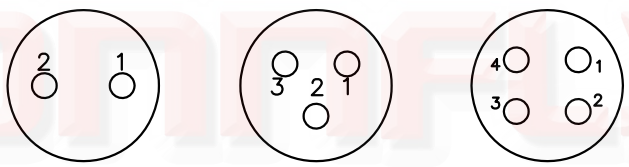


NOTES:

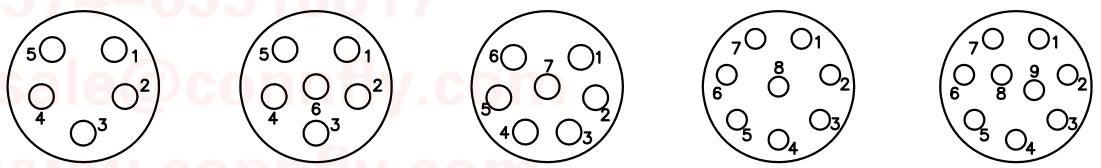
- SPECIFICATION
 - CURRENT RATING: 5A Max.
 - DIELECTRIC WITH STANDING VOLTAGE: 500V(AC)
 - CONTACT RESISTANCE: 50mΩ Max.
 - INSULATION RESISTANCE: 1000MΩ(DC)Min
- PRODUCT NUMBER CODE:

DS1110 - X X X

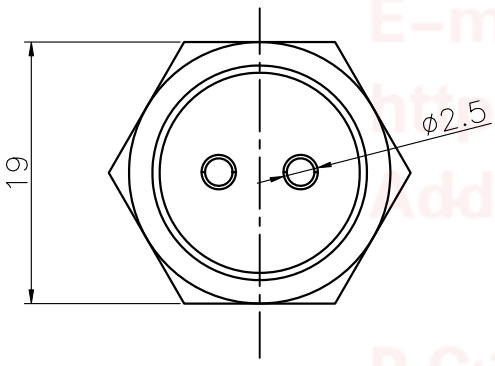
- CONTACT PLATING
6: TIN
- COLOR OF HOUSING:
W: WHITE
B: BLACK
- No. OF CONTACTS
2 3 4 5 6 7 8 9



2 PIN 3 PIN 4 PIN

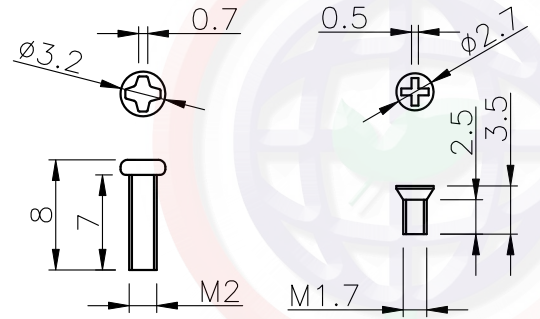
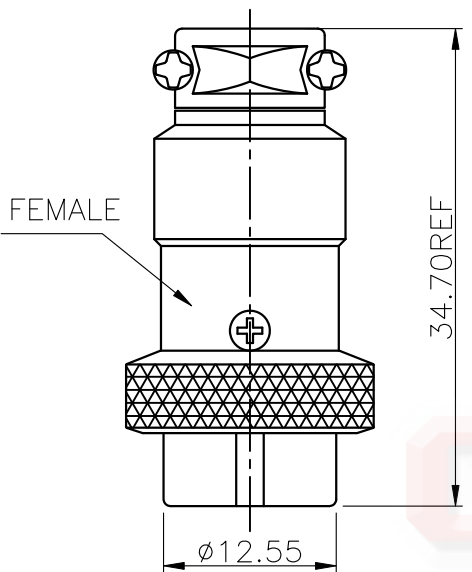


5 PIN 6 PIN 7 PIN 8 PIN 9 PIN



GENERAL TOLERANCE		ANGLE TOLERANCE		PROJECTION		TITLE	MICRO JACK CONNECTOR	
X.	±0.60	X.	±5°	UNITS	mm			
.X	±0.38	.X	±3°	SHEET SIZE	A4	SERIES	DS1110 SERIES	
.XX	±0.25	.XX	±2°	晨翔电子有限公司 CONNPLY CONNPLY ELECTRONIC CO. LTD				
DRAWING TYPE		CUSTOMER						
SCALE	1:1	SHEET	1 OF 3					
DRAWING NO.		C-DS1110-XXX-A						

REV.	DESCRIPTION	DRAWN	CHECKED	APPROVED
A	NEW RELEASE	JLZ 03/12/15'		LJC 03/12/15'
B	DRAWING UPDATE	JLZ 11/15/16'		



NOTES:

- SPECIFICATION
 - CURRENT RATING: 5A Max.
 - DIELECTRIC WITH STANDING VOLTAGE: 500V(AC)
 - CONTACT RESISTANCE: 50mΩ Max.
 - INSULATION RESISTANCE: 1000MΩ(DC)Min
- PRODUCT NUMBER CODE:

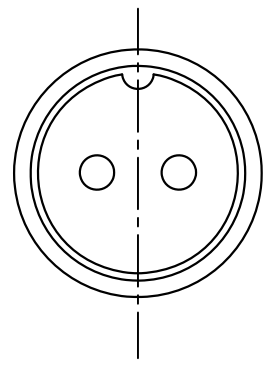
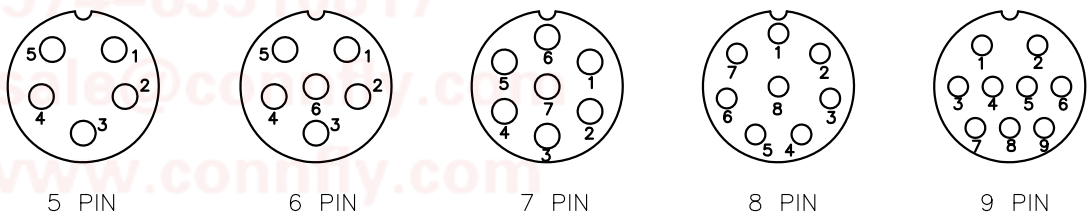
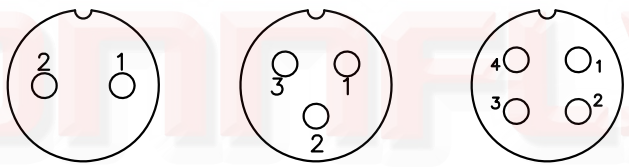
DS1110 - X X X X

CONTACT PLATING
6: TIN

COLOR OF HOUSING:
W: WHITE
B: BLACK

CONNECTOR TYPE
F: FEMALE

No. OF CONTACTS
2 3 4 5 6 7 8 9



Tel:86-574-63508787

Fax:86-574-63510817

E-mail: info@connfly.com

<http://www.connfly.com>

Add:East Industry Zone KuangYan

Town

P.C:315333

GENERAL TOLERANCE		ANGLE TOLERANCE		PROJECTION		TITLE	MICRO JACK CONNECTOR	
X.	±0.60	X.	±5°	UNITS	mm	SHEET	DS1110 SERIES	
.X	±0.38	.X	±3°	SHEET SIZE	A4			
.XX	±0.25	.XX	±2°					
DRAWING TYPE		CUSTOMER			晨翔电子有限公司 CONNFLY CONNFLY ELECTRONIC CO. LTD			
SCALE		1:1	SHEET 2 OF 3					
DRAWING NO.		C-DS1110-XXXX-B						

REV.	DESCRIPTION	DRAWN	CHECKED	APPROVED
A	NEW RELEASE	JLZ 03/12/15'		LJC 03/12/15'
B	DRAWING UPDATE	JLZ 11/15/16'		

NOTES:

1.SPECIFICATION

- .CURRENT RATING: 5A Max.
- .DIELECTRIC WITH STANDING VOLTAGE: 500V(AC)
- .CONTACT RESISTANCE: 50mΩ Max.
- .INSULATION RESISTANCE: 1000MΩ(DC)Min

2.PRODUCT NUMBER CODE:

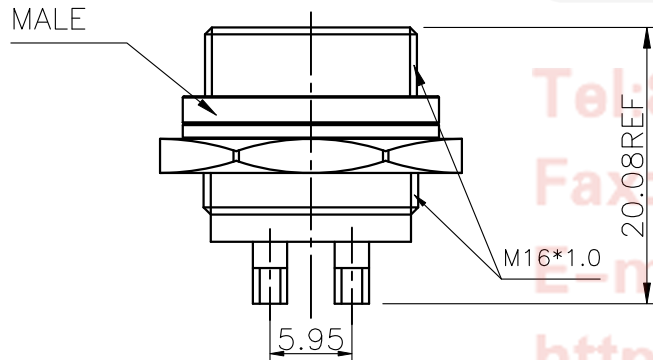
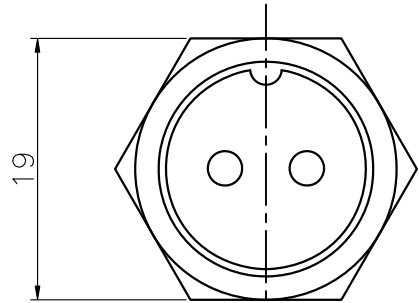
DS1110 - X X X X

CONTACT PLATING
6: TIN

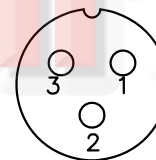
COLOR OF HOUSING:
W: WHITE
B: BLACK

CONNECTOR TYPE
M: MALE

No. OF CONTACTS
2 3 4 5 6 7 8 9



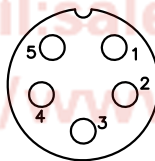
2 PIN



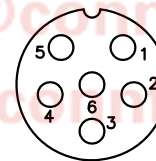
3 PIN



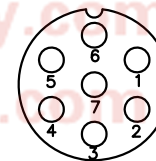
4 PIN



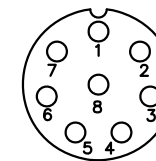
5 PIN



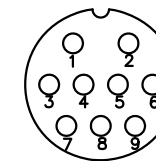
6 PIN



7 PIN



8 PIN



9 PIN

Tel: 86-574-63508787

Fax: 86-574-63510817

E-mail: sale@connfly.com

http://www.connfly.com

Add: East Industry Zone, Kuang Yan

Town Cixi Ningbo China

P.C: 315333

GENERAL TOLERANCE		ANGLE TOLERANCE		PROJECTION		TITLE	MICRO JACK CONNECTOR				
X.	±0.60	X.	±5°	UNITS	mm	SHEET	DS1110 SERIES				
.X	±0.38	.X	±3°	SHEET SIZE	A4						
.XX	±0.25	.XX	±2°								
DRAWING TYPE		CUSTOMER			晨翔电子有限公司 CONNFLY CONNFLY ELECTRONIC CO. LTD						
SCALE		1:1	SHEET							3 OF 3	
DRAWING NO.		C-DS1110-XXXX-B									